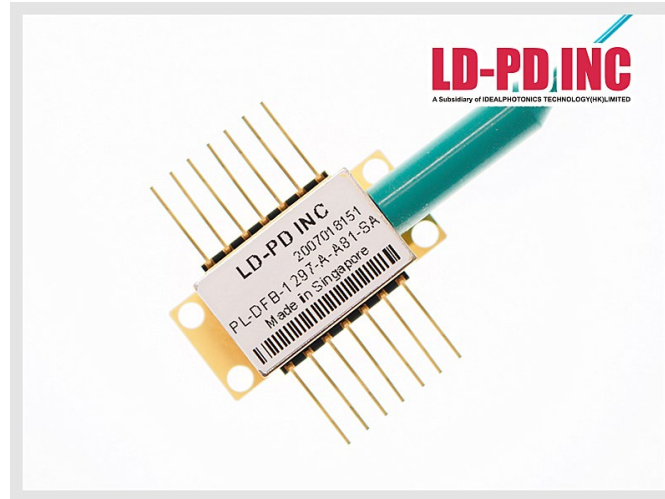


1297nm DFB Laser diode for HF Sensing



Description:

The PL-DFB-1297-A1 1297nm DFB laser diode module made by LD-PD is a cost effective, highly coherent laser source. The DFB laser diode chip is packaged in an industry standard hermetically sealed 14 pin butterfly package with TEC and PD Built in.

Features:

- Narrow Linewidth < 2MHz
- Excellent wavelength control and stability
- Industry Standard 14 pin Butterfly package
- Mode-Hop free tuning
- Excellent reliability
- Customer specific wavelengths available

Application:

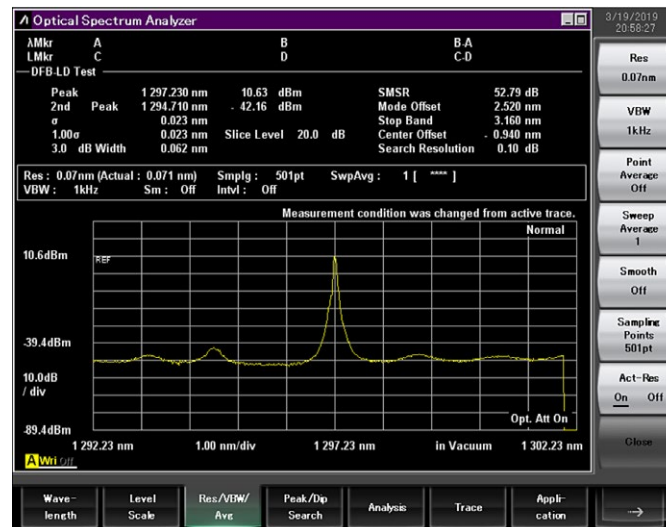
- Tunable diode laser absorption spectroscopy
- HF Monitoring

Laser Specifications:

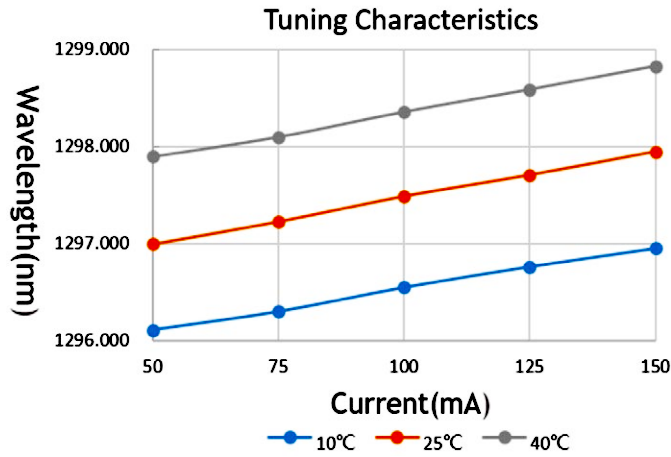
Electrical/Optical Characteristics (Tsub=25°C, CW bias unless stated otherwise)

| Parameter | Symbol | Min | Typ | Max | Unit |
|--------------------------------|--------------------------|--------|--------|--------|------------|
| Centre Wavelength | λ | 1296.5 | 1297.0 | 1297.5 | nm |
| Side Mode Suppression Ratio | SMSR | 30 | 40 | | dB |
| Threshold Current | I _{th} | | 20 | 30 | mA |
| Operating Current | I _{op} | | 80 | 120 | mA |
| Chip output Power | P _f | 10 | 15 | 30 | mW |
| Quantum Efficiency | η | 0.08 | 0.12 | | mW/mA |
| Current Tuning Coefficient | $\Delta\lambda/\Delta I$ | | 0.015 | | nm/mA |
| Temperature Tuning Coefficient | $\Delta\lambda/\Delta T$ | | 0.12 | | nm/K |
| Forward Voltage | V _f | | 1.3 | 2 | V |
| Thermistor Resistance | R _T | 9.5 | 10 | 10.5 | K Ω |
| Thermistor Temp. Coefficient | | | -4.4 | | %/°C |
| Connector | FC/APC | | | | |

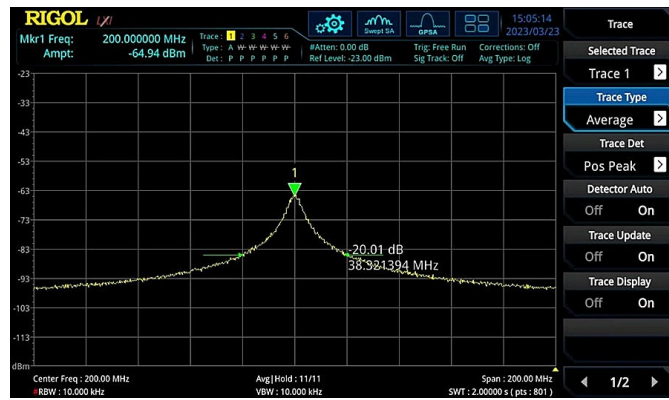
Spectrum:



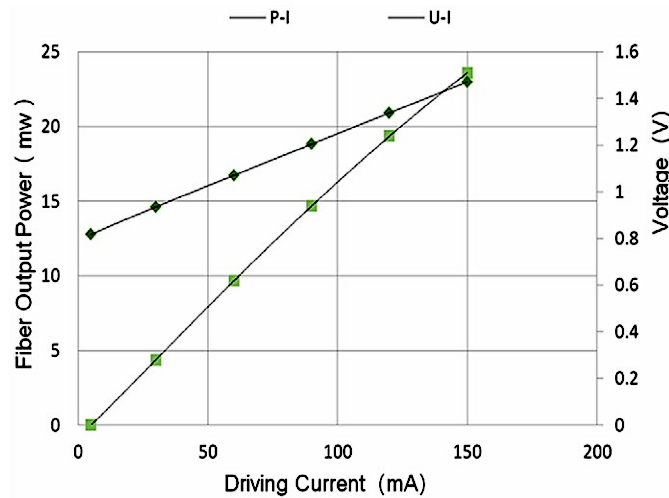
Tuning Characteristics:



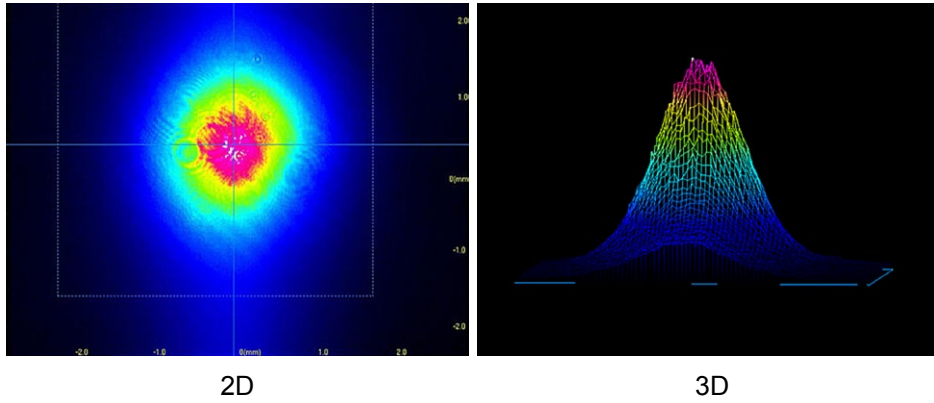
DFB Linewidth Testing Result:



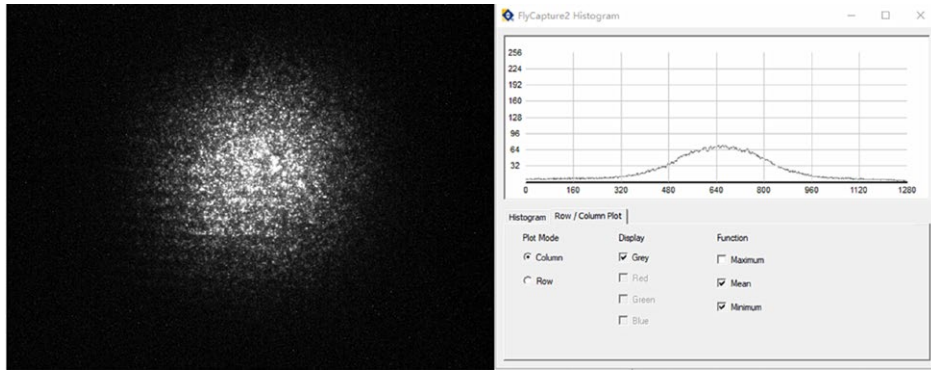
L-I Curve:



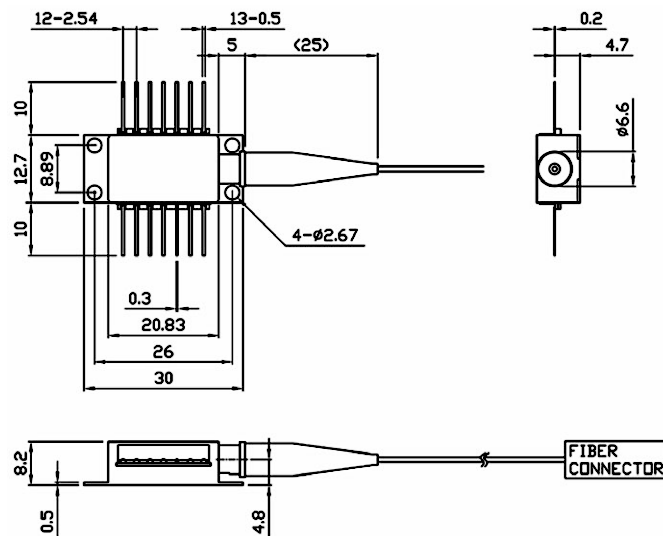
Beam Quality:



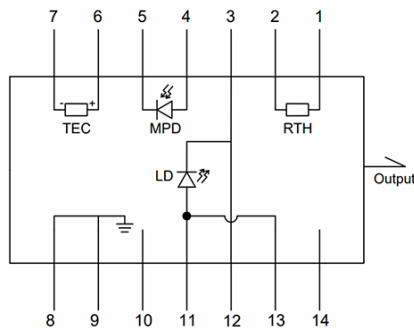
Camera Analysis:



Package Size:



Pin definition:



| | | | |
|---|--------------|----|-------------|
| 1 | Thermistor | 8 | Case Ground |
| 2 | Thermistor | 9 | Case Ground |
| 3 | LD(-) | 10 | NC |
| 4 | Detector (+) | 11 | LD(+) |
| 5 | Detector (-) | 12 | LD (-)RF |
| 6 | TEC (+) | 13 | LD (+) |
| 7 | TEC (-) | 14 | NC |

Package Size:

| Item | Unit | Min | Typ | Max |
|----------------------|------|-----|-----|-----|
| Case Temperature | °C | -5 | 25 | 70 |
| Chip Temperature | °C | +10 | 25 | 40 |
| Operating Current | mA | 0 | 100 | 150 |
| Forward Voltage | V | 0.8 | 1.2 | 1.8 |
| TEC Current | A | - | - | 1.2 |
| Reverse Voltage (LD) | V | - | - | 2.0 |
| Reverse Voltage (PD) | V | - | - | 20 |

Ordering Info:

PL-DFB-□□□□-☆-A8▽-XX

□□□□: Wavelength

1297: 1297nm

1532: 1532nm

1392: 1392nm

1512: 1512nm

1567: 1567nm

1653.7: 1653.7nm

☆ : Output Power

A: 10mW

B: 20mW

▽: Wavelength Tolerance

1: ± 1 nm2: ± 2 nm

XX: Fiber and Connector Type

SA=SMF-28E+ FC/APC

SP=SMF-28E+ FC/PC

PP=PM Fiber+ FC/PC

PA=PM Fiber+ FC/APC