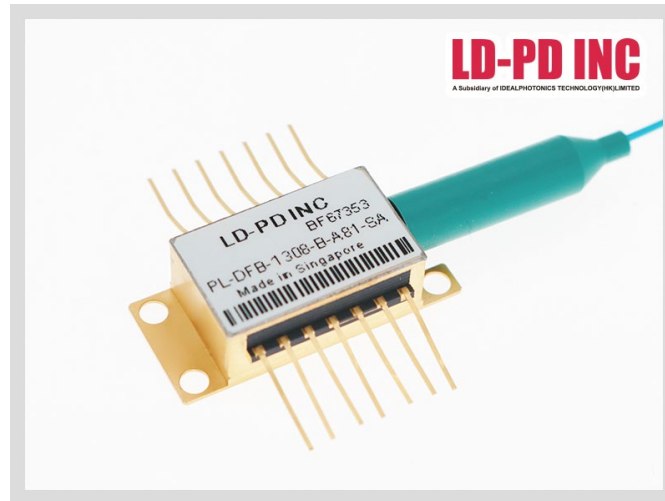


## 1308nm DFB Laser diode



### Description:

The PL-DFB-1308-A-A81 1308nm DFB laser diode module made by LD-PD is a cost effective, highly coherent laser source. The DFB laser diode chip is packaged in an industry standard hermetically sealed 14 pin butterfly package with TEC and PD Built in.

### Features:

- Narrow Linewidth < 2MHz
- Excellent wavelength control and stability
- Industry Standard 14 pin Butterfly package
- Mode-Hop free tuning
- Excellent reliability
- Customer specific wavelengths available

### Application:

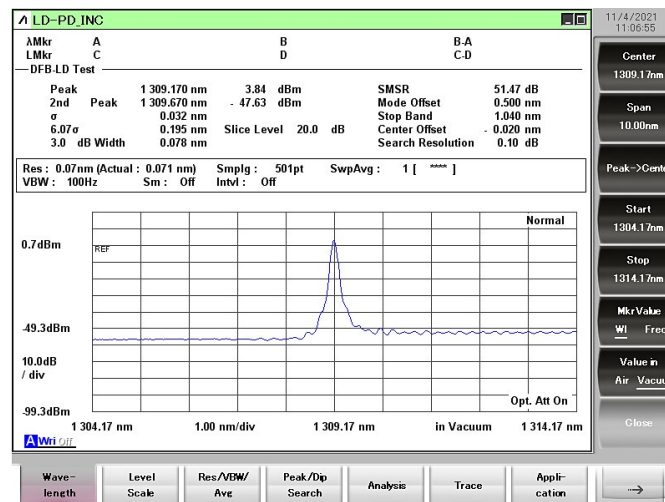
- Tunable diode laser absorption spectroscopy
- Gas Monitoring

## Laser Specifications:

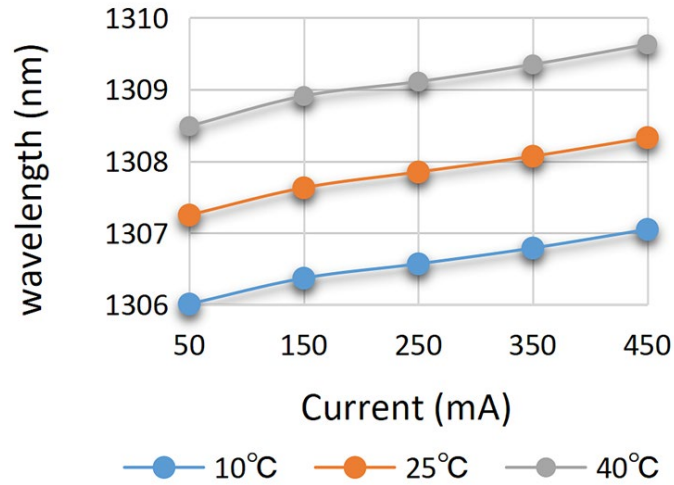
Electrical/Optical Characteristics (Tsub=25°C, CW bias unless stated otherwise)

Parameter	Symbol	Min	Typ	Max	Unit
Centre Wavelength	$\lambda$	1307.0	1308.0	1309.0	nm
Side Mode Suppression Ratio	SMSR	30	40		dB
Threshold Current	I <sub>th</sub>		20	30	mA
Operating Current	I <sub>op</sub>		300	450	mA
Chip output Power	P <sub>f</sub>	40	60	90	mW
Quantum Efficiency	$\eta$	0.08	0.12		mW/mA
Current Tuning Coefficient	$\Delta\lambda/\Delta I$		0.015		nm/mA
Temperature Tuning Coefficient	$\Delta\lambda/\Delta T$		0.12		nm/K
Forward Voltage	V <sub>f</sub>		1.3	2	V
Thermistor Resistance	RT	9.5	10	10.5	K $\Omega$
Thermistor Temp. Coefficient			-4.4		%/°C
Connector	FC/APC				

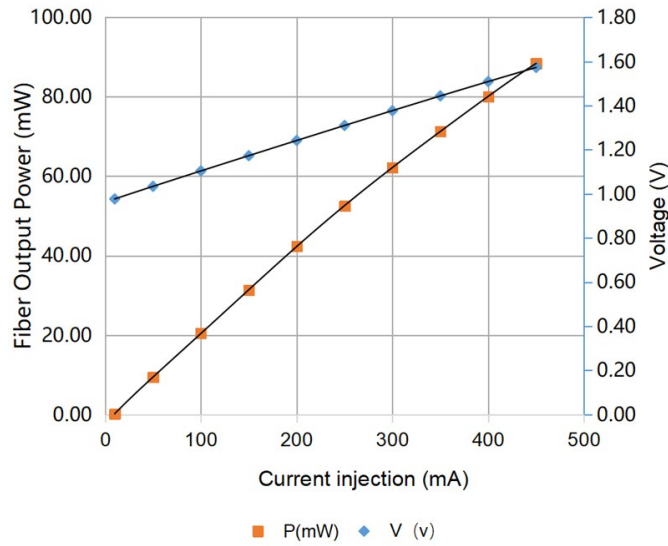
## Spectrum:



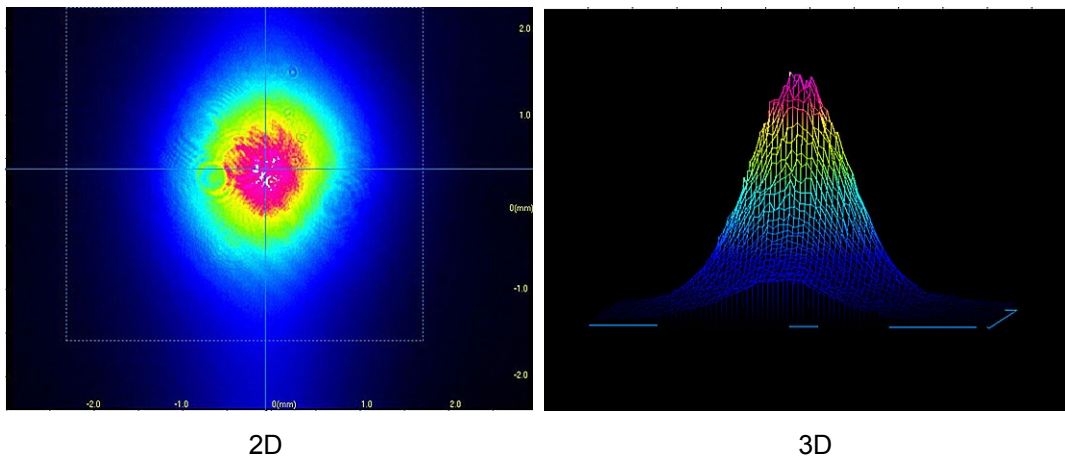
**Tuning Characteristics:**



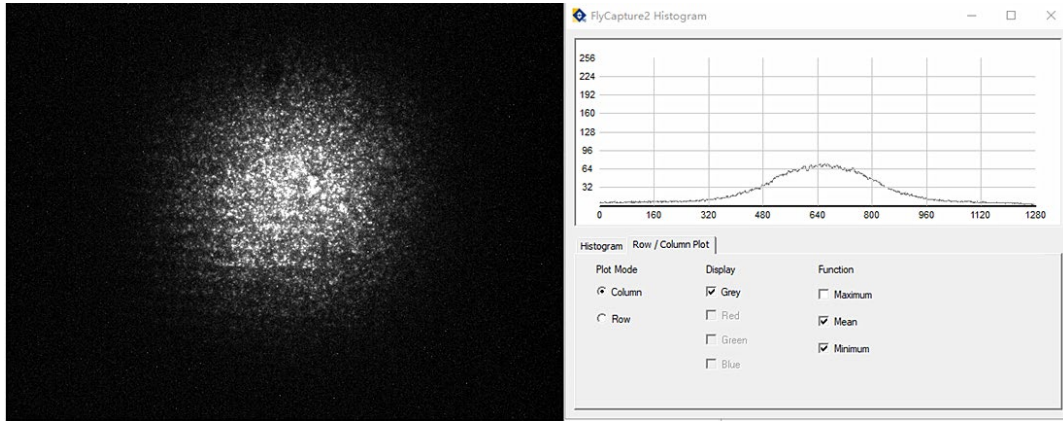
**L-I Curve:**



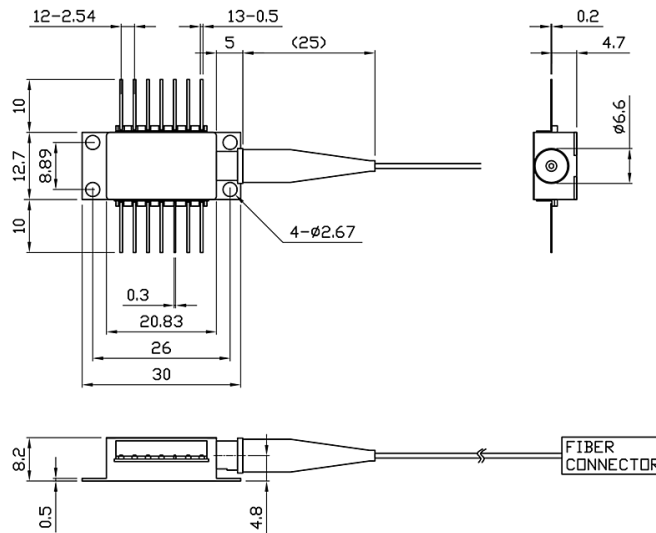
**Beam Quality:**



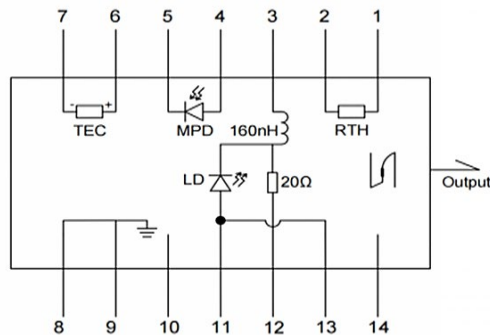
**Camera Analysis:**



**Package Size:**



**Pin definition:**



### Pin Connection:

PIN#	Function	PIN#	Function
1	Thermistor	8	Case Ground
2	Thermistor	9	Case Ground
3	NC	10	NC
4	Detector(+)	11	LD(+)
5	Detector(-)	12	LD(-), RF
6	Thermoelectric Cooler (+)	13	LD(+)
7	Thermoelectric Cooler (-)	14	NC

### Absolute Maximum Ratings:

Item	Unit	Min	Typ	Max
Case Temperature	°C	-5	25	70
Chip Temperature	°C	+10	25	40
Operating Current	mA	0	300	450
Forward Voltage	V	0.8	1.2	2.5
TEC Current	A	-	-	1.2
Reverse Voltage (LD)	V	-	-	2.0
Reverse Voltage (PD)	V	-	-	20

### OEM Info:

PL-DFB-□□□□-☆-A8▽-XX

□□□□: Wavelength

1308: 1308nm

1392: 1392nm

1512: 1512nm

1567: 1567nm

1572: 1572nm

\*\*\*\*\*

1653.7: 1653.7nm

☆: Output Power

A: 30mW

B: 60mW

C: 90mw

▽: Wavelength Tolerance

1: ±1nm

2:  $\pm 2\text{nm}$

XX: Fiber and Connector Type

SA=SMF-28E+ FC/APC

SP=SMF-28E+ FC/PC

PP=PM Fiber+ FC/PC

PA=PM Fiber+ FC/APC