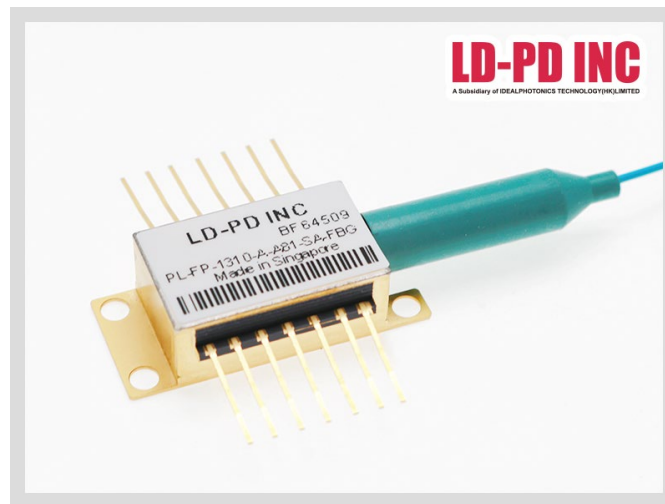


1310nm FP laser diode (with FBG)



Description:

The PL-FP-1310-A-A81-SA High brightness, high quality, and high reliability are the foundation of our single mode product line. LD-PD's 1310nm single mode laser modules are available with up to 70mW of continuous output power from a 14-pin butterfly packaged fiber. All chips are mounted on a 2.1mm COS within the package and come standard with an internal thermistor, TEC, and photodiode. LD-PD's trademark laser chip design offers un-measurable degradation and long lifetimes that make our chips among the most reliable in the industry today. Our 1310nm single mode line serves a broad range of applications including optical data storage, printing, laser ranging, illumination, defense, spectral analysis, and graphics.

Features:

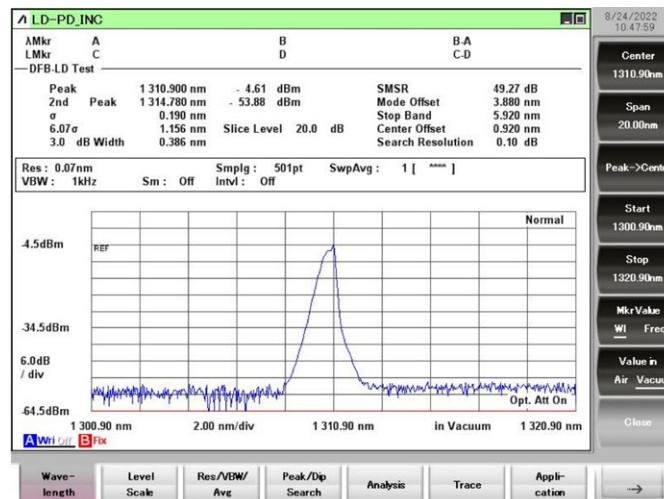
- Optical output: 20mW
- FC-APC connector
- Efficient coupling into single mode fiber
- 14-pin butterfly package
- with FBG
- Internal monitor PD and TEC
- SM or PM Fiber (ø0.9mm)

Laser Specifications:

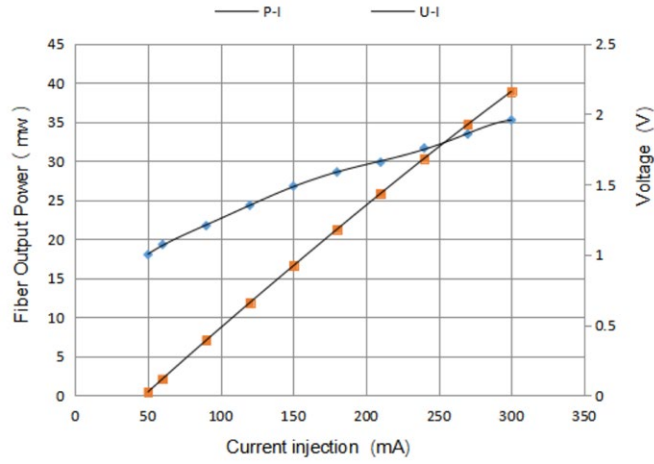
Electrical/Optical Characteristics (Tsub=25°C, CW bias unless stated otherwise)

Parameter	Symbol	Min	Typ	Max	Unit
Centre Wavelength	λ	1300	1310	1320	nm
Spectral Width	$\Delta\lambda$		0.3		nm
Threshold Current	I _{th}		30	40	mA
Operating Current	I _{op}		200	300	mA
Fiber output Power	P _f		20		mW
PD Dark Current (VRD=5V)	I _d			0.1	uA
Extinction Ratio (PM VERSION)	PER	17	20		dB
Coupled Fiber Type	SMF-28E/PM1550				
Forward Voltage	V _f		1.8	2.5	V
Thermistor Resistance	R _T	9.5	10	10.5	K Ω
Thermistor Temp. Coefficient			-4.4		%/°C
Connector	FC/APC				

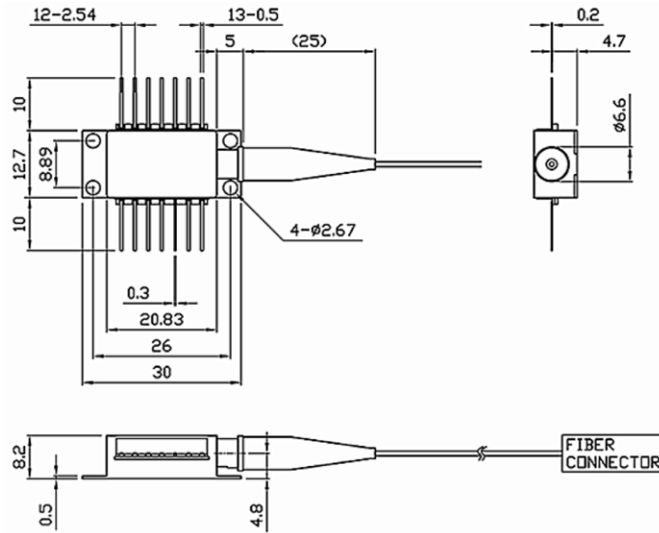
Spectrum:



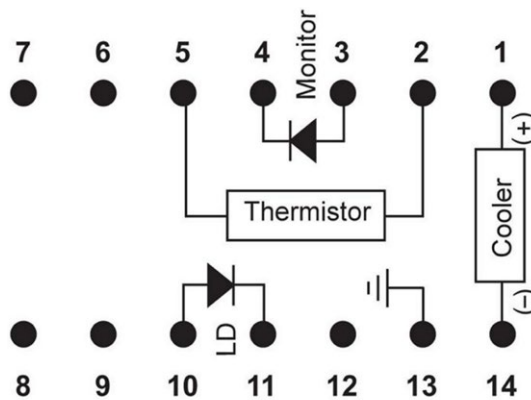
L-I Curve:



Package Size:



Pin definition:



PIN#	Function	PIN#	Function
1	Thermoelectric Cooler (+)	8	N/C
2	Thermistor	9	N/C
3	PD Monitor Anode (-)	10	Laser Anode (+)
4	PD Monitor Cathode (+)	11	Laser Cathode (-)
5	Thermistor	12	N/C
6	N/C	13	Case Ground
7	N/C	14	Thermoelectric Cooler (-)

Ordering Info:

PL-FP-□□□□-☆-A8▽-XX-FBG

□□□□: Wavelength

405: 405nm

633: 633nm

680: 680nm

850: 850nm

1310: 1310nm

1950: 1950nm

☆: Output Power

A: 20mW

B: 40mW

▽: Wavelength Tolerance

1: ±5nm

2: ±10nm

XX: Fiber and Connector Type

SA=SMF-28E+ FC/APC

SP=SMF-28E+ FC/PC

PP=PM Fiber+ FC/PC

PA=PM Fiber+ FC/APC