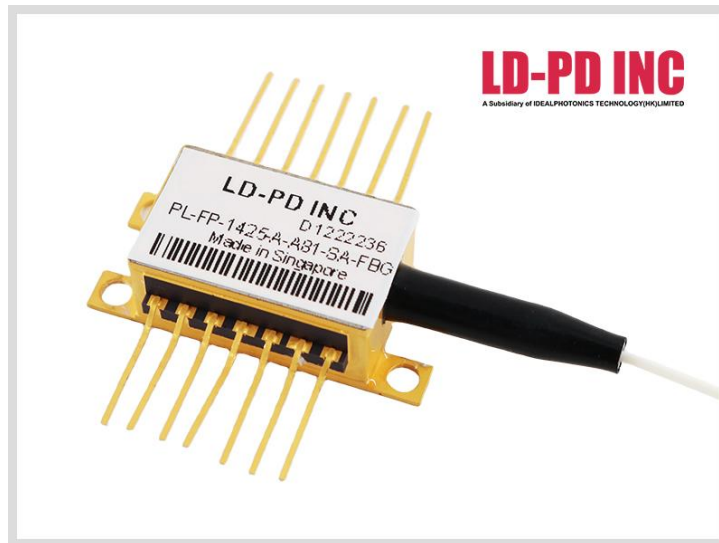


## 1425nm FP SM Raman Pump Laser Diode with FBG



### Description

FP-1425-A-A81-PA is 1425nm pump laser modules uses a number of revolutionary design steps and the very latest material technologies to significantly improve scalability of the production process. The semi-cooled 45°C laser diode operation provides for a significant reduction in TEC and overall power consumption. The module meets the stringent requirements of the telecommunications industry including Telcordia GR-468-CORE.

The LD-PD Series pump module, which uses Fiber Bragg grating stabilization to lock the emission wavelength, provides a noise-free, narrowband spectrum even under changes in temperature, drive current, and optical feedback. Wavelength selection is available for applications requiring the highest performance in spectrum control with the highest power available.

### Features

- Optical output: 10mW
- FC-APC connector
- Wavelength selection available
- 14-pin butterfly package
- Integrated thermoelectric cooler, thermistor, and monitor diode
- High dynamic range
- Excellent low power stability

## Laser Specifications

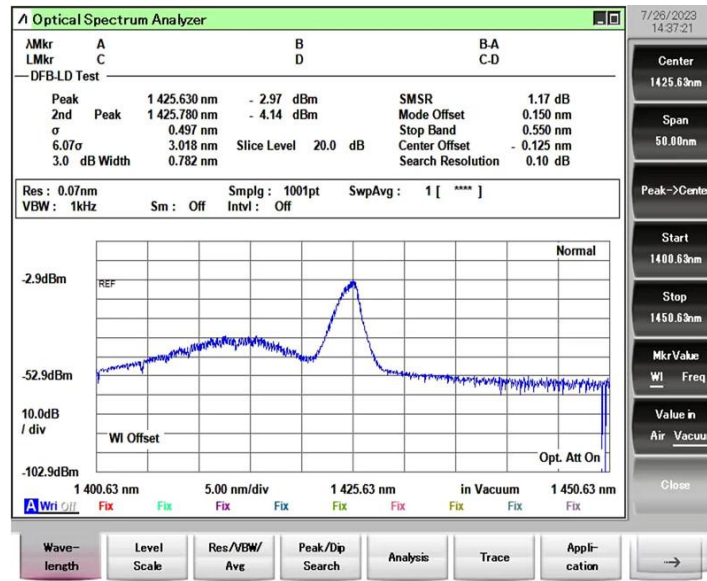
Electrical/Optical Characteristics (Tsub=25°C, CW bias unless stated otherwise)

Parameter	Symbol	Min	Typ	Max	Unit
Centre Wavelength	$\lambda$	1405	1425	1445	nm
Spectral Width	$\Delta\lambda$	0.6	0.8	1.0	nm
Threshold Current	I <sub>th</sub>		90	110	mA
Operating Current	I <sub>op</sub>		1200	2000	mA
Fiber output Power	P <sub>f</sub>	300	400	600	mW
Wavelength Tuning VS Temp	$\Delta\lambda/T$			0.01	nm/°C
Tracking Ratio(0.1P <sub>op</sub> < P <sub>f</sub> < P <sub>op</sub> ) <sup>1</sup>	TR	0.52		1.48	
Tracking error <sup>2</sup>	TE	-48	-	+48	
Monitor diode responsivity	IBF	0.5		5	uA/mW
Thermistor resistance(T <sub>set</sub> = 25°C) <sup>3</sup>	R <sub>th</sub>	9.5	-	10.5	KΩ
PD Dark Current (VRD=5V)	I <sub>d</sub>			0.1	uA
Extinction Ratio (PM VERSION)	PER	17	20		dB
Coupled Fiber Type	SMF-28E				
Forward Voltage	V <sub>f</sub>		1.8	2.6	V
Thermistor Resistance	R <sub>T</sub>	9.5	10	10.5	KΩ
Thermistor Temp. Coefficient			-4.4		%/°C
Connector	None or FC/APC				
Thermistor Resistance					

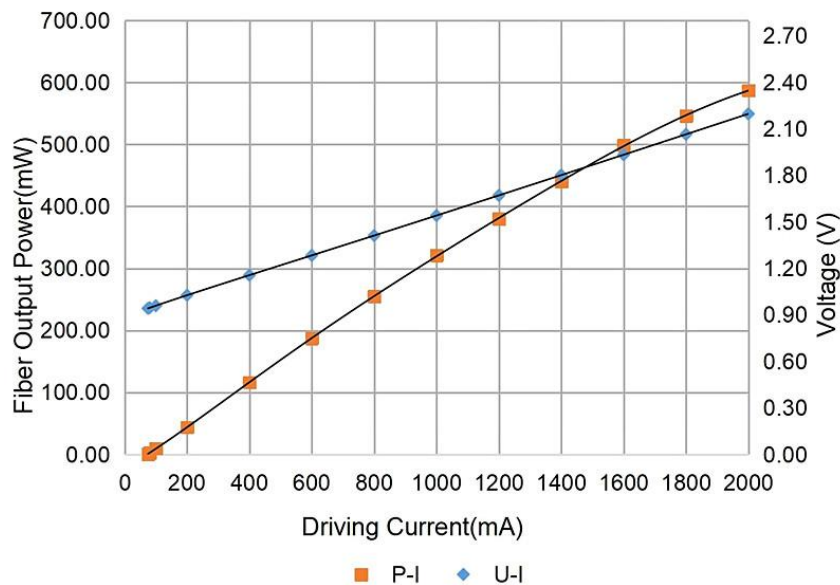
1. The tracking ratio is a measure of the front-to-back tracking when the output power is varied. On a plot of optical power versus back-face photocurrent, a straight line is drawn between the minimum power (30 mW) and the operating power (P<sub>op</sub>) points. The tracking ratio is defined as the ratio between measured optical power (shown as data points on the plot) to the value derived from the straight line.

- The tracking error is defined as the normalized change of output power relative to  $P_f$  at 25°C, that is,  $(P_f - P_{f\_25})/P_{f\_25}$ , over case temperature range of 0 to 75°C, at constant back face monitor current corresponding to the lowest back face monitor current at  $P_f = P_{op}$  of 0°C, 25°C, 75°C.
- Datasheet for Calculating Temperature from the resistance of the Thermistor is available now. You can contact us for details.

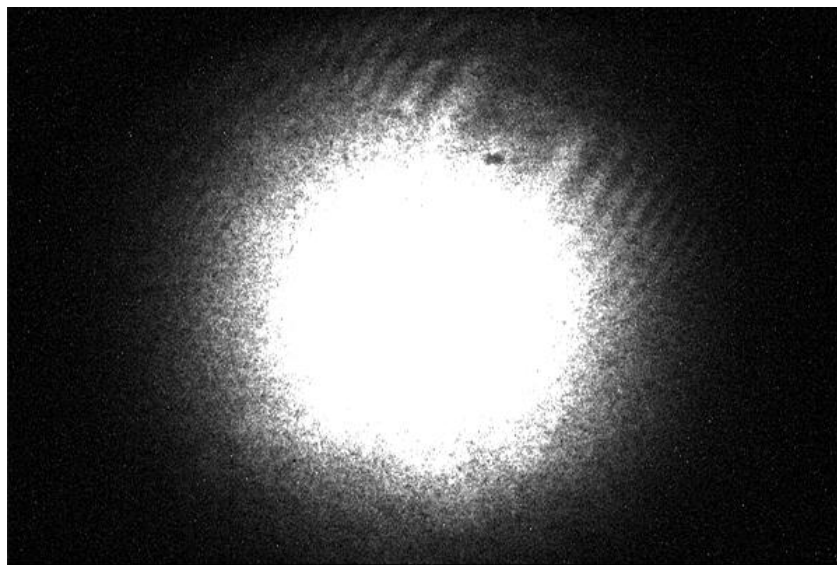
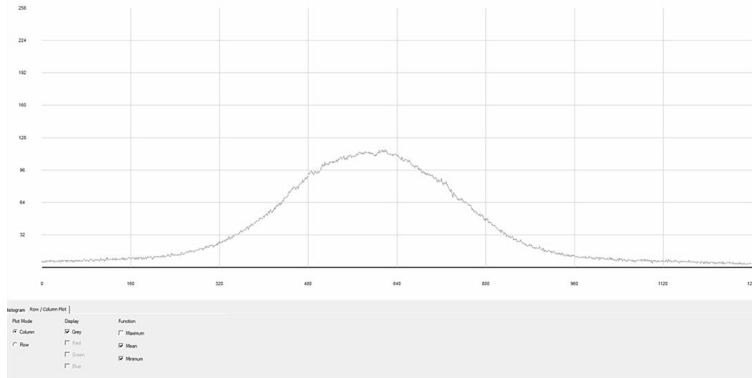
**Spectrum**



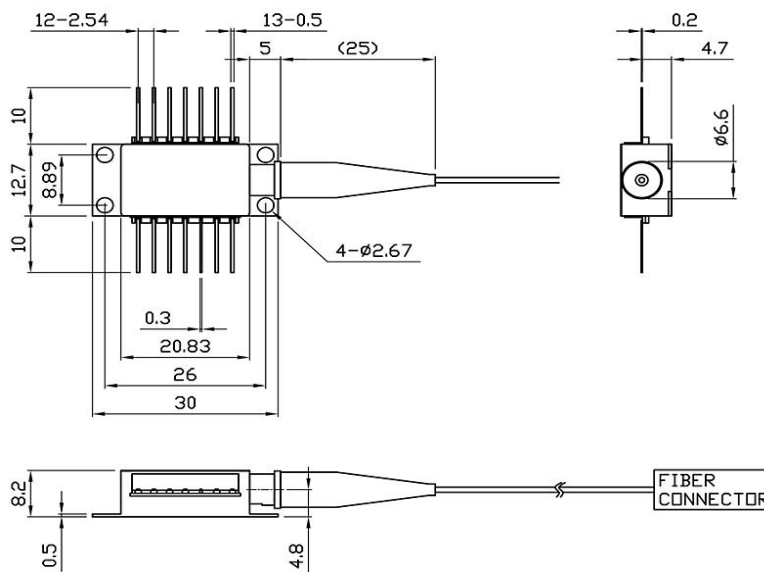
**L-I Curve**



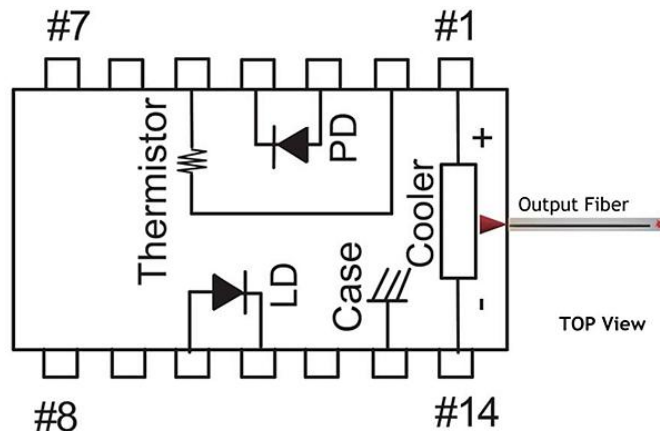
**Digital Camera Analysis**



**Package Size**



**Pin definition**



1	Thermoelectric Cooler (+)	8	N/C
2	Thermistor	9	N/C
3	PD Monitor Anode (-)	10	laser Anode (+)
4	PD Monitor Cathode (+)	11	Laser Cathode (-)
5	Thermistor	12	N/C
6	N/C	13	Case Ground
7	N/C	14	Thermoelectric Cooler (-)

**SMF-28E Fiber Nominal Characteristics and Tolerances**

Parameters	Specification
Cut off wavelength	1300nm
Max Attenuation	2.1dB/km
Cladding Diameter	125um
Coating Diameter	250um
Core Cladding Concentricity	≤0.5um
Mode Field diameter	9.5um

**Absolute Maximum Ratings**

Item	Symbol	Unit	Min	Typ	Max	Testing Condition
Case Temperature	TOP	°C	-5	25	70	
Chip Temperature	TLD	°C	+10	25	50	
Operating Current	If-max	mA	0	850	1500	
Forward Voltage	VR	V	0.8	1.2	1.8	

TEC Current	I TEC	A	-	1.2	2.0	
Tec Voltage	VTEC					
Axial Pull Force		N	-	-	5N	3x10s
Side Pull Force		N	-	-	2.5N	3x10s
Fiber Bend Radius			16mm			-
Reverse Voltage (LD)		V	-	-	1.8	C=100pF,R=1.5KΩ, HBM
Reverse Voltage(PD)	VPD	V	-	-	10	C=100pF,R=1.5KΩ, HBM
LD electrostatic Discharge	VESD-LD	V		-	1000	
PD electrostatic Discharge	VESD-PD	V		-	500	
PD Forward Current	IPF	mA		-	10	
Lead Soldering time		S		-	10s	300°C
Store Temperature	TSTG	°C	-40	-	+85	2000hr
Operating Temperature	TOP	°C		-		
Relative Humidity	RH		5%	-	95%	Noncondensing

Absolute maximum ratings are the maximum stresses that may be applied to the module for short periods of time without causing damage and are listed in Table 5. Stresses in excess of the absolute maximum ratings can cause permanent damage to the device. Exposure to absolute maximum ratings for extended periods of time or exposure to more than one absolute maximum rating simultaneously may adversely affect device reliability. Specifications may not necessarily be met under these conditions.

## Ordering Info

PL-FP-□□□□-☆-A8▽-XX-FBG

□□□□: Wavelength

1425: 1425nm

\*\*\*\*\*

1480: 1480nm

☆: Output Power

A: 300mW

B: 400mW

C: 500mW

D: 600mw

▽: Wavelength Tolerance

1:  $\pm 1\text{nm}$

2:  $\pm 2\text{nm}$

XX: Fiber and Connector Type

SA=SMF-28E+ FC/APC

SP=SMF-28E+ FC/PC

PP=PM Fiber+ FC/PC

PA=PM Fiber+ FC/APC

## Labeling

### Laser Safety

The LD-PD pump laser module emits hazardous invisible laser radiation. The pump laser module emits hazardous invisible laser radiation. Due to the small size of the pump module, the box packaging is labeled with the laser radiation hazard symbol and safety warning labels shown below

### User Safety

#### Safety and Operating Considerations

The laser light emitted from this laser diode is invisible and may be harmful to the human eye. Avoid looking directly into the fiber when the device is in operation.

**CAUTION: THE USE OF OPTICAL INSTRUMENTS WITH THIS PRODUCT INCREASES EYE HAZARD.**

Operating the laser diode outside of its maximum ratings may cause device failure or a safety hazard. Power supplies used with this component cannot exceed maximum peak optical power. CW laser diodes may be damaged by excessive drive current or switching transients. When using power supplies, the laser diode should be connected with the main power on and the output voltage at zero. The current should be increased slowly while monitoring the laser diode output power and the drive current. Careful attention to heatsinking and proper mounting of this device is required to ensure specified performance over its operating life. To maximize thermal transfer to the heatsink, the heatsink mounting surface must be flat to within .001inch and the mounting screws must be torqued down to 1.5 in/lb.

**ESD PROTECTION**—Electrostatic discharge (ESD) is the primary cause of unexpected laser diode failure. Take extreme precaution to prevent ESD. Use wrist straps, grounded work surfaces, and rigorous antistatic techniques when handling laser diodes.